

Lexmark X646e

Simple solutions for
complex business.

uncomplicate
the way you work.



Mono Laser Multifunction Printer

LEXMARKTM



The Lexmark X646e: Easy, smart and fast

Work Easy

The first thing you notice about the Lexmark X646e is its large, colour touch screen, which makes it simple for anyone in your large workgroup to print, copy, fax or scan.

- Minimise the learning curve: with Lexmark's e-Task colour touch screen, you'll find it easy to perform even the most advanced tasks without training
- The screen is vivid and adjustable, so you can use the Lexmark X646e in any light and from any angle
- With a common screen across all new colour touch-screen MFPs, users can become familiar with the interface quickly, reducing training time and increasing productivity.



e-Task colour touch screen

Work Smart

The advanced functionality of the Lexmark X646e gives you an affordable, intelligent and customisable document solution, so you can work smarter, not harder.

- Affordable copies: with print speeds of up to 48 pages per minute and print, copy, scan and fax as standard features, the Lexmark X646e gives you all your office document functions in one convenient workhorse
- Intelligent document management: the X646e makes it simple to capture and send documents electronically, using the intuitive e-Task colour touch-screen
- Customisable interface: you can customise your touch screen to access electronic forms, automate complex business processes or even access dynamic information such as your company's current stock price.
- Fax Redirect: Configure the device to automatically redirect incoming Fax jobs to: eMail, another Fax or Lexmark Document Solutions Suite (LDSS) for easy workflow solutions.

Work Fast

With the fastest print speed in its class and designed to give you outstanding performance, the Lexmark X646e offers the features you need to get even your largest, most complex jobs done quickly.

- Lightning speed: combining a racy 533MHz processor providing output at up to 48 pages per minute and a time-to-first-page of just 8.5 seconds, you'll be spending much less time waiting and more time working
- Scan almost anything, fast: to make it simple and convenient, the Lexmark X646e has a Legal-size scanner to process documents of almost any size. The automatic duplexer saves you time by scanning both sides of the page in one pass and providing quick copies.
- Features designed to meet the needs of your demanding workgroups: the Lexmark X646e has a massive 40GB hard drive and input of up to 4,100 pages to print your biggest print jobs finished in a flash.



Fast! 48 ppm Print speed improves productivity by reducing wait times



Fast Automatic Document Feeder (ADF) Allows you to scan both sides of a document in one pass for quick copies



Colour Touch Screen
Vivid, adjustable colour touch screen enables optimal viewing for user-specific requirements and environmental conditions



Embedded Solutions
Extends the MFP capabilities without additional server and software infrastructure

Enhanced security = peace of mind

The Lexmark X646e offers specially designed security features to ensure your critical information is safe and secure.

Your printer network can be managed comprehensively and securely via Lexmark's MarkVision software.

You can rest assured all your valuable network data is locked up tight. This robust system is designed for enterprise-level security, including disk wiping, encryption and physical cable-lock protection.

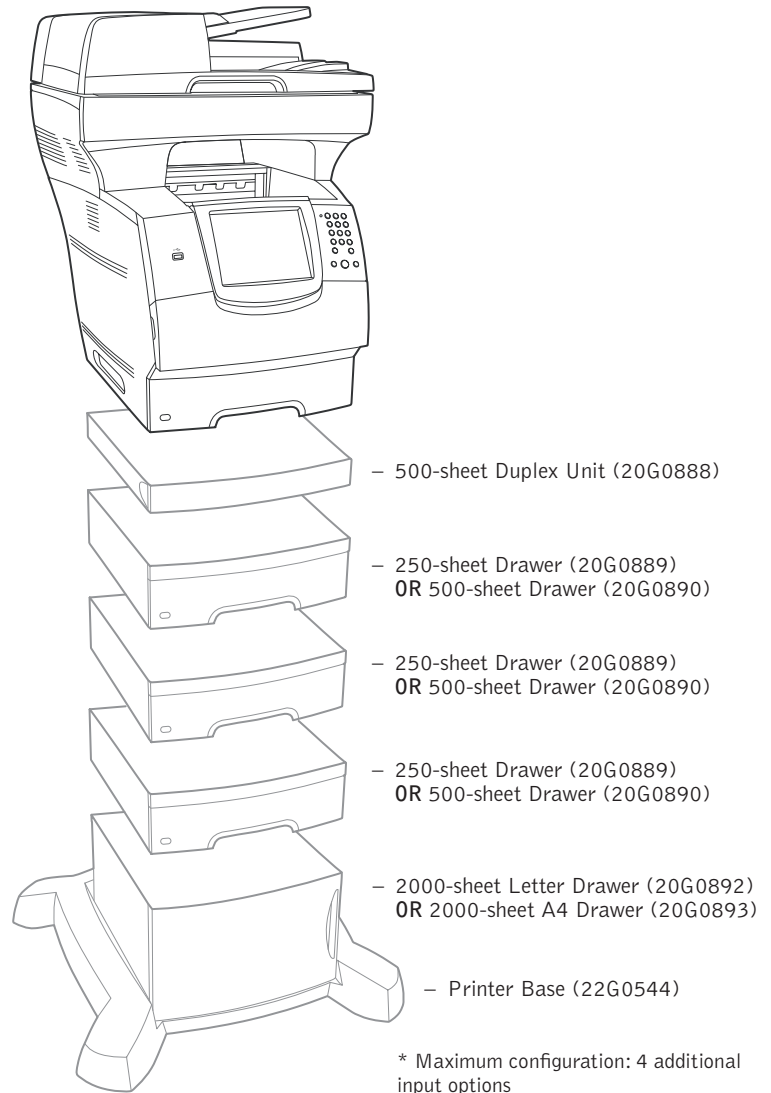
Even with its long list of advanced security features, the Lexmark X646e is still user-friendly, with users only requiring their standard network information to log-in

when security is enabled.

These flexible security features translate to safe network communications and secure information storage.



Paper Handling Options*



We've got the solution

Lexmark has a range of customisable software solutions that can be coupled with the X646e to take your workflow efficiency to new levels.

Do you need to scan, process and route documents on an enterprise scale? Lexmark Document Distributor Enterprise 4.0 lets you do so, offering clustering, management and security features required by the largest business environments.

Would you like to eliminate your server overhead? We may be able to help you do it with Lexmark's Embedded Solutions Framework, which runs solutions applications inside your printer.

How about capturing key business documents at the point of transaction? We have several tools that can let your business reap the benefits of distributed capture.

Technical Specifications

Print

Print technology	Monochrome Laser
Print speed	48ppm
Time to first page	8.5 seconds
Resolution	600 x 600 dpi, 1200 x 1200 dpi, 1200 Image Quality, 2400 Image Quality
Connectivity standard	USB and Ethernet
Compatibility	PCL 6 Emulation, PostScript 3, Personal Printer Data Stream (PPDS) Migration Tool, PDF v1.5 Emulation
Direct print formats	JPEG, TIFF, GIF, BMP, PNG, PCX, DCX, PDF, HTML
Font selection	PCL 6 - 89 scalable, 2 bitmapped, Includes - OCR-A, OCR-B and Code 3 of 9 barcodes; PostScript 3 - 158 scalable; PPDS - 39 scalable, 5 bitmapped
Optional Solutions	Bar Code Card, IPDS and SCS/TNe Card, Forms Card - Single Byte, Forms Card - Simplified Chinese, PRESCRIBE Card, Font Cards - Korean, Japanese, Simplified Chinese, Traditional Chinese

Copy

Copy speed	Up to 48 cpm
Resolution	600 x 600 dpi
Maximum copies	999
Features	Custom Job Build, Job Cancel, Job Interrupt, Job Preview
Reduce / Enlarge	25 to 400%
Copy collation	Supported
Paper save functions	2 Up Portrait, 2 Up Landscape, 4 Up Portrait, 4 Up Landscape, Booklet Creation
Copy enhance quality features	Background Removal, Contrast, Shadow Detail, Darkness, Date/Time Stamp, Message Overlay, Paper Saver

Scan

Scanner type	Colour/Mono Flatbed Scanner with ADF
Scanner technology	Charge Coupled Device (CCD)
Connectivity standard	Ethernet
Resolution	600 x 600 dpi (Mono), 600 x 300 dpi (Colour)
ADF type	Single Pass Duplex ADF with C-Path
Scan destinations	Network TWAIN, USB Thumbdrive, eMail, FTP, LDSS, Scan to PC
Reduce / Enlarge	25 to 400%
File formats	TIFF, JPEG, PDF
Directory access	LDAP Lookup, Microsoft Exchange, Custom Accounts
Scan area	Flatbed - Maximum 216 mm x 355.6 mm
Scan preview	Available
Standard input	50 sheets
Standard output	50 sheets - with Job Build enabled additional pages can be scanned as one document
TWAIN Drivers	Provide remote scanning capabilities to Windows and Macintosh. Network SANE drivers provide remote scanning capabilities for Linux workstations. These drivers allow TWAIN (or SANE) compatible applications to acquire raw scan data directly from a networked Lexmark multifunction printer.

Fax

Transmission speed	33.6 kbps
Fax redirect	To another fax, eMail, FTP, LDSS
Fax from PC	via PostScript 3 driver
Speed dials	Greater than 500, based on 10-digit phone number
Directory access	LDAP Lookup, Microsoft Exchange, Custom Accounts
Compatible with following fax servers	Biscom, Equisys, Omttool, RightFax and more
Storage	Up to 20 GB access of 40 GB HDD
Fax backup	via HDD
Additional features	Group fax, Delayed send, Broadcast send

Other Specifications

Processor	533 MHz
Memory	Standard - 256 MB, Maximum - 768 MB, Optional - 128 MB, 256 MB and 512 MB
Hard disk drive	40GB
Optional flash memory	32 MB or 64 MB via Flash Memory card
Duty cycle	225,000 pages per month
Standard input	500 sheets + 100 sheet MPF
Maximum input	4,100 sheets
Standard output	500 sheets
Maximum output	500 sheets
Optional input drawers	250 sheets, 500 sheets, 2000 sheet
Media supported	Card Stock, Dual Web Labels, Envelopes, Integrated Labels, Paper Labels, Plain Paper, Polyester Labels, Transparencies, Vinyl Labels, Waterproof Media
Media weights supported	Paper: 60 - 176 gsm. Card Stock: Up to 216 gsm
Paper size	A4, A5, Executive Folio, JIS-B5, Legal, Letter, Statement, Universal, Envelope 10, 7 ³ / ₄ , 9, B5, C5, DL
Optional adapter	N4000, N7000 & N8000 series, including Gigabit, Wireless options, IEEE 1284-B Parallel Card, RS-232C Serial Card
Option slots	DRAM DIMM, Firmware Card, Flash Memory Card
Network management software	MarkVision Professional, Embedded Web Page
Operating systems supported	Microsoft Windows: 2000, NT, ME, XP, Server 2003, 98 2nd Edition, XP Professional x64 Novell Netware: 3.2, 4.2, 5.x and 6.x UNIX: Sun Solaris 7, 8, 9, 10, HP-UX 11.00, 11.11, IBM AIX 5.1, 5.2, 5.3 Linux: Red Hat Linux 7.3, 8.0, 9.0, other systems Mac OS: 9.x, X IBM: AS/400R Systems with TCP/IP with OS/400R V3R1 or later using OS/400 Host Print Transform
Security features	Secure Management with MarkVision Professional, Secure Network Communications, Confidential Print, Digitally Signed Firmware Update Files, Encryption for Optional Internal Hard Disk Drives, Operator Panel Menu Lockout, Printing Lockout, Secure Socket Layer
Warranty	Two Years Onsite Repair ¹
Size (H x W x D)	710 x 560 x 645 mm
Weight	37.3 kg
Power	Average Power in Continuous Printing is 800 Watts. Average Power in Standby is 150 Watts. Average Power in Standby with Power Saver on is 32 Watts. Energy Star qualified.
Acoustics	30 dB(A) ready, 56 dB(A) printing
Part Numbers	X646e - 22G0376 Ships with 21,000 ² page High Yield Cartridge Aftermarket Supplies: 10,000 ² page Return Program Cartridge - X644A11P 21,000 ² page Return Program Cartridge - X644H11P 32,000 ² page Return Program Cartridge - X644X11P 21,000 ² page Return Program Cartridge for Label Applications - X644H01P 32,000 ² page Return Program Cartridge for Label Applications - X644X01P 10,000 ² , 21,000 ² , 32,000 ² Regular Cartridges also available

¹Local warranty conditions apply. For details please contact your nearest Lexmark office.

²Average standard page yield value declared in accordance with ISO/IEC 19752.



In Australia Lexmark partners with Planet Ark to collect and recycle toner and ink cartridges. Visit www.lexmark.com.au for more details.



Lexmark supports the environment by reducing paper wastage. As one of the many environmental initiatives Lexmark does not pre-print brochures.



Lexmark and Lexmark with diamond design are trademarks of Lexmark International, Inc., registered in the United States and/or other countries.

www.lexmark.com.au

LEXMARK